

***TPS54110EVM-044 1.5-Amp
SWIFT™ Regulator Evaluation Module***

User's Guide

IMPORTANT NOTICE

Texas Instruments Incorporated and its subsidiaries (TI) reserve the right to make corrections, modifications, enhancements, improvements, and other changes to its products and services at any time and to discontinue any product or service without notice. Customers should obtain the latest relevant information before placing orders and should verify that such information is current and complete. All products are sold subject to TI's terms and conditions of sale supplied at the time of order acknowledgment.

TI warrants performance of its hardware products to the specifications applicable at the time of sale in accordance with TI's standard warranty. Testing and other quality control techniques are used to the extent TI deems necessary to support this warranty. Except where mandated by government requirements, testing of all parameters of each product is not necessarily performed.

TI assumes no liability for applications assistance or customer product design. Customers are responsible for their products and applications using TI components. To minimize the risks associated with customer products and applications, customers should provide adequate design and operating safeguards.

TI does not warrant or represent that any license, either express or implied, is granted under any TI patent right, copyright, mask work right, or other TI intellectual property right relating to any combination, machine, or process in which TI products or services are used. Information published by TI regarding third-party products or services does not constitute a license from TI to use such products or services or a warranty or endorsement thereof. Use of such information may require a license from a third party under the patents or other intellectual property of the third party, or a license from TI under the patents or other intellectual property of TI.

Reproduction of information in TI data books or data sheets is permissible only if reproduction is without alteration and is accompanied by all associated warranties, conditions, limitations, and notices. Reproduction of this information with alteration is an unfair and deceptive business practice. TI is not responsible or liable for such altered documentation.

Resale of TI products or services with statements different from or beyond the parameters stated by TI for that product or service voids all express and any implied warranties for the associated TI product or service and is an unfair and deceptive business practice. TI is not responsible or liable for any such statements.

Following are URLs where you can obtain information on other Texas Instruments products & application solutions:

Products		Applications	
Amplifiers	amplifier.ti.com	Audio	www.ti.com/audio
Data Converters	dataconverter.ti.com	Automotive	www.ti.com/automotive
DSP	dsp.ti.com	Broadband	www.ti.com/broadband
Interface	interface.ti.com	Digital Control	www.ti.com/digitalcontrol
Logic	logic.ti.com	Military	www.ti.com/military
Power Mgmt	power.ti.com	Optical Networking	www.ti.com/opticalnetwork
Microcontrollers	microcontroller.ti.com	Security	www.ti.com/security
		Telephony	www.ti.com/telephony
		Video & Imaging	www.ti.com/video
		Wireless	www.ti.com/wireless

Mailing Address: Texas Instruments
Post Office Box 655303 Dallas, Texas 75265

EVM IMPORTANT NOTICE

Texas Instruments (TI) provides the enclosed product(s) under the following conditions:

This evaluation kit being sold by TI is intended for use for **ENGINEERING DEVELOPMENT OR EVALUATION PURPOSES ONLY** and is not considered by TI to be fit for commercial use. As such, the goods being provided may not be complete in terms of required design-, marketing-, and/or manufacturing-related protective considerations, including product safety measures typically found in the end product incorporating the goods. As a prototype, this product does not fall within the scope of the European Union directive on electromagnetic compatibility and therefore may not meet the technical requirements of the directive.

Should this evaluation kit not meet the specifications indicated in the EVM User's Guide, the kit may be returned within 30 days from the date of delivery for a full refund. **THE FOREGOING WARRANTY IS THE EXCLUSIVE WARRANTY MADE BY SELLER TO BUYER AND IS IN LIEU OF ALL OTHER WARRANTIES, EXPRESSED, IMPLIED, OR STATUTORY, INCLUDING ANY WARRANTY OF MERCHANTABILITY OR FITNESS FOR ANY PARTICULAR PURPOSE.**

The user assumes all responsibility and liability for proper and safe handling of the goods. Further, the user indemnifies TI from all claims arising from the handling or use of the goods. Please be aware that the products received may not be regulatory compliant or agency certified (FCC, UL, CE, etc.). Due to the open construction of the product, it is the user's responsibility to take any and all appropriate precautions with regard to electrostatic discharge.

EXCEPT TO THE EXTENT OF THE INDEMNITY SET FORTH ABOVE, NEITHER PARTY SHALL BE LIABLE TO THE OTHER FOR ANY INDIRECT, SPECIAL, INCIDENTAL, OR CONSEQUENTIAL DAMAGES.

TI currently deals with a variety of customers for products, and therefore our arrangement with the user **is not exclusive**.

TI assumes **no liability for applications assistance, customer product design, software performance, or infringement of patents or services described herein**.

Please read the EVM User's Guide and, specifically, the EVM Warnings and Restrictions notice in the EVM User's Guide prior to handling the product. This notice contains important safety information about temperatures and voltages. For further safety concerns, please contact the TI application engineer.

Persons handling the product must have electronics training and observe good laboratory practice standards.

No license is granted under any patent right or other intellectual property right of TI covering or relating to any machine, process, or combination in which such TI products or services might be or are used.

Mailing Address:

Texas Instruments
Post Office Box 655303
Dallas, Texas 75265

EVM WARNINGS AND RESTRICTIONS

It is important to operate this EVM within the input and output voltage ranges specified in the EVM User's Guide.

Exceeding the specified input range may cause unexpected operation and/or irreversible damage to the EVM. If there are questions concerning the input range, please contact a TI field representative prior to connecting the input power.

Applying loads outside of the specified output range may result in unintended operation and/or possible permanent damage to the EVM. Please consult the EVM User's Guide prior to connecting any load to the EVM output. If there is uncertainty as to the load specification, please contact a TI field representative.

During normal operation, some circuit components may have case temperatures greater than 55°C. The EVM is designed to operate properly with certain components above 60°C as long as the input and output ranges are maintained. These components include but are not limited to linear regulators, switching transistors, pass transistors, and current sense resistors. These types of devices can be identified using the EVM schematic located in the EVM User's Guide. When placing measurement probes near these devices during operation, please be aware that these devices may be very warm to the touch.

Mailing Address:

Texas Instruments
Post Office Box 655303
Dallas, Texas 75265

Read This First

About This Manual

This user's guide describes the characteristics, operation, and the use of the TPS54110EVM-044 evaluation module. It covers all pertinent areas involved to properly use this EVM board along with the devices that it supports. The physical PCB layout, schematic diagram, and bill of materials are included.

How to Use This Manual

This document contains the following chapters:

- Chapter 1—Introduction
- Chapter 2—Test Setup and Results
- Chapter 3—Board Layout
- Chapter 4—Schematic and Bill of Materials

FCC Warning

This equipment is intended for use in a laboratory test environment only. It generates, uses, and can radiate radio frequency energy and has not been tested for compliance with the limits of computing devices pursuant to subpart J of part 15 of FCC rules, which are designed to provide reasonable protection against radio frequency interference. Operation of this equipment in other environments may cause interference with radio communications, in which case the user at his own expense will be required to take whatever measures may be required to correct this interference.

Trademarks

SWIFT and PowerPAD are trademarks of Texas Instruments.

Contents

1	Introduction	1-1
1.1	Background	1-2
1.2	Performance Specification Summary	1-3
1.3	Modifications	1-4
1.3.1	Output Voltage Setpoint	1-4
1.3.2	Switching Frequency	1-4
1.3.3	Input Filter	1-4
2	Test Setup and Results	2-1
2.1	Input/Output Connections	2-2
2.2	Efficiency	2-3
2.3	Power Dissipation	2-4
2.4	Output Voltage Regulation	2-5
2.5	Load Transients	2-6
2.6	Loop Characteristic	2-7
2.7	Output Voltage Ripple	2-8
2.8	Input Voltage Ripple	2-8
2.9	Powering Up and Down	2-9
3	Board Layout	3-1
3.1	Layout	3-2
4	Schematic and Bill of Materials	4-1
4.1	Schematic	4-2
4.2	Bill of Materials	4-3

Figures

2-1	Connection Diagram	2-2
2-2	Measured Efficiency, TPS54110	2-3
2-3	Measured Circuit Losses	2-4
2-4	Load Regulation	2-5
2-5	Line Regulation	2-5
2-6	Load Transient Response, TPS54110	2-6
2-7	Measured Loop Response, TPS54110, $V_I = 3\text{ V}$	2-7
2-8	Measured Loop Response, TPS54110, $V_I = 6\text{ V}$	2-7
2-9	Measured Output Voltage Ripple, TPS54110	2-8
2-10	Input Voltage Ripple, TPS54110	2-8
2-11	Powering Up	2-9
3-1	Top Side Layout	3-2
3-2	Bottom Side Layout	3-3
3-3	Top Side Assembly	3-3
4-1	TPS54110EVM-044 Schematic	4-2

Tables

1-1	Input Voltage and Output Current Summary	1-2
1-2	TPS54110EVM-044 Performance Specification Summary	1-3
1-3	Output Voltage Programming	1-4
4-1	TPS54110EVM-044 Bill of Materials	4-3

Introduction

This chapter contains background information for the TPS54110 with support documentation for the TPS54110EVM-044 evaluation module (HPA044). The TPS54110EVM-044 performance specifications are provided, along with a schematic and bill of material.

Topic	Page
1.1 Background	1-2
1.2 Performance Specification Summary	1-3
1.3 Modifications	1-4

1.1 Background

The TPS54110 dc/dc converter is designed to provide up to 1.5-A output from a 3-V to 6-V input voltage source. Rated input voltage and output current range is given in Table 1–1. This evaluation module is designed to demonstrate the small PCB areas that may be achieved when designing with the TPS54110 regulator, and does not reflect the high efficiencies that may be achieved when designing with this part. The switching frequency is set at a nominal 700 kHz, allowing the use of a relatively small footprint 1- μ H output inductor. The high-side and low-side MOSFETs are incorporated inside the TPS54110 package allowing for compact designs with minimal external circuitry. The low drain-to-source on resistance of the internal MOSFETs allows the TPS54110 to achieve high efficiencies and helps to keep the temperature low at high output currents. The compensation components are provided external to the IC, and allow for an adjustable output voltage and a customizable loop response. The TPS54110 is a full-featured device including undervoltage lockout, adjustable slow-start timing, adjustable switching frequency, enable, and power good functions.

Table 1–1. Input Voltage and Output Current Summary

EVM	INPUT VOLTAGE RANGE	OUTPUT CURRENT RANGE
TPS54110EVM-044	3 V to 6 V	0 to 1.5 A

1.2 Performance Specification Summary

A summary of the TPS54110EVM-044 performance specifications is provided in Table 1–2. Specifications are given for an input voltage of 3.3 V and an output voltage of 1.5 V unless otherwise specified. The ambient temperature is 25°C for all measurements, unless otherwise noted. The maximum input voltage for the TPS54110 is 6 V.

Table 1–2. TPS54110EVM-044 Performance Specification Summary

Specification		Test Conditions	Min	Typ	Max	Units
Input voltage range			3.0	3.3 or 5.0	6.0	V
Output voltage set point				1.5		V
Output current range		$V_I = 3\text{ V to }5.5\text{ V}$	-1.5		1.5	A
Line regulation		$I_O = 0\text{--}1.5\text{ A}$, $V_I = 3\text{ V to }6\text{ V}$	±0.02%			
Load regulation		$V_I = 3.3\text{ V}$, $I_O = 0\text{ A to }1.5\text{ A}$	±0.08%			
Load transient response	Voltage change	$I_O = 0.37\text{ A to }1.12\text{ A}$	-35			mV _{PK}
	Recovery time		120			µs
	Voltage change	$I_O = 1.12\text{ A to }0.37\text{ A}$	25			mV _{PK}
	Recovery time		120			µs
Loop bandwidth		$V_I = 3\text{ V}$	89			kHz
Phase margin		$V_I = 3\text{ V}$	66			°
Loop bandwidth		$V_I = 6\text{ V}$	152			kHz
Phase margin		$V_I = 6\text{ V}$	58			°
Input ripple voltage			90	200		mV _{PP}
Output ripple voltage			25	35		mV _{PP}
Output rise time			3.5			ms
Operating frequency			680	700	720	kHz
Maximum efficiency		$V_I = 3.3\text{ V}$, $V_O = 1.5\text{ V}$, $I_O = 0.6\text{ A}$	78%			

1.3 Modifications

The TPS54110EVM-044 is designed to demonstrate the small size that can be attained when designing with the TPS54110; therefore, many of the features, which allow for extensive modifications, have been omitted from this EVM. For reference designators, see the schematic in Figure 4-1.

1.3.1 Output Voltage Set Point

Changing the value of R2 can change the output voltage in the range of 0.9 V to 3.3 V. The value of R2 for a specific output voltage can be calculated by using Equation 1-1. Table 1-3 list the values for R2 for some common output voltages. Note that 3.3-V output is not available with V_I less than 4 V.

Equation 1-1.

$$R2 = 10 \text{ k}\Omega \times \frac{0.891 \text{ V}}{V_O - 0.891 \text{ V}}$$

Table 1-3. Output Voltage Programming

Output Voltage (V)	R2 Value (Ω)
1.2	28.7 k
1.5	14.7 k
1.8	9.76 k
2.5	5.49 k
3.3	3.74 k

The minimum output voltage is limited by the minimum controllable on time of the device, 200 ns, and depends on the duty cycle and operating frequency. The approximate minimum output voltage can be calculated using Equation 1-2:

Equation 1-2.

$$V_{O(\min)} = 200 \text{ nsec} \times f_s \times V_{I(\max)}$$

1.3.2 Switching Frequency

The switching frequency is set to 700 kHz with R4. The switching frequency of this EVM should not be adjusted. Any lowering of the switching frequency results in increased output ripple current in the inductor L1 unless the value of L1 is increased.

1.3.3 Input Filter

An onboard electrolytic input capacitor may be added at C1.

Test Setup and Results

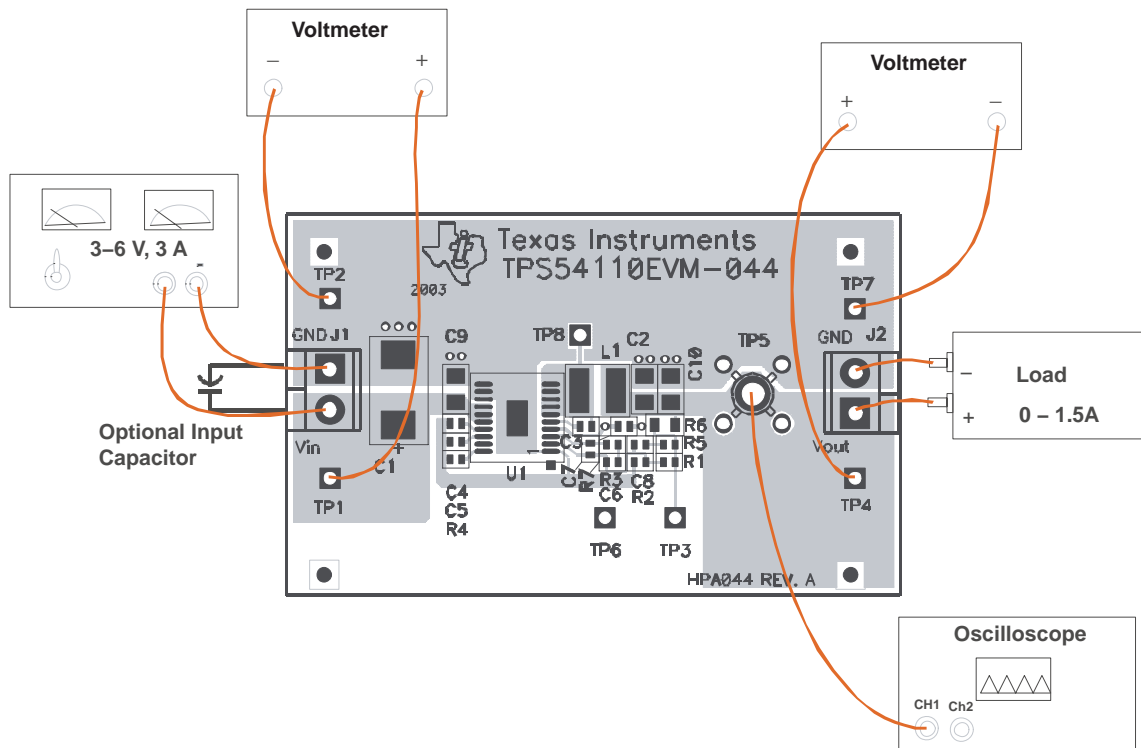
This chapter describes how to properly connect, set up, and use the TPS54110EVM-044 evaluation module. The chapter also includes test results typical for the TPS54110EVM-044 and covers efficiency, output voltage regulation, load transients, loop response, output ripple, input ripple, and startup.

Topic	Page
2.1 Input/Output Connections	2-2
2.2 Efficiency	2-3
2.3 Power Dissipation	2-4
2.4 Output Voltage Regulation	2-5
2.5 Load Transients	2-6
2.6 Loop Characteristics	2-7
2.7 Output Voltage Ripple	2-8
2.8 Input Voltage Ripple	2-8
2.9 Powering Up and Down	2-9

2.1 Input/Output Connections

The TPS54110EVM-44 has the following two input/output connectors: V_I (J1), and V_O (J2). A diagram showing the connection points is shown in Figure 2-1. A power supply capable of supplying 3 A should be connected to J1 through a pair of 20 awg wires. The load should be connected to J2 through a pair of 20 awg wires. The maximum load current capability should be 1.5 A. Wire lengths should be minimized to reduce losses in the wires. Test point TP5 provides a place to easily connect an oscilloscope voltage probe to monitor the output voltage. The TPS54110 is intended to be used as a point of load regulator. In typical applications, it is usually located close to the input voltage source. When using the TPS54110EVM-044 with an external power supply as the source for V_I , an additional bulk capacitor may be required, depending on the output impedance of the source and length of the hook-up wires. The test results presented are obtained using a 470- μ F, 16-V additional input capacitor. Alternately, C1 can be populated with an input filter capacitor.

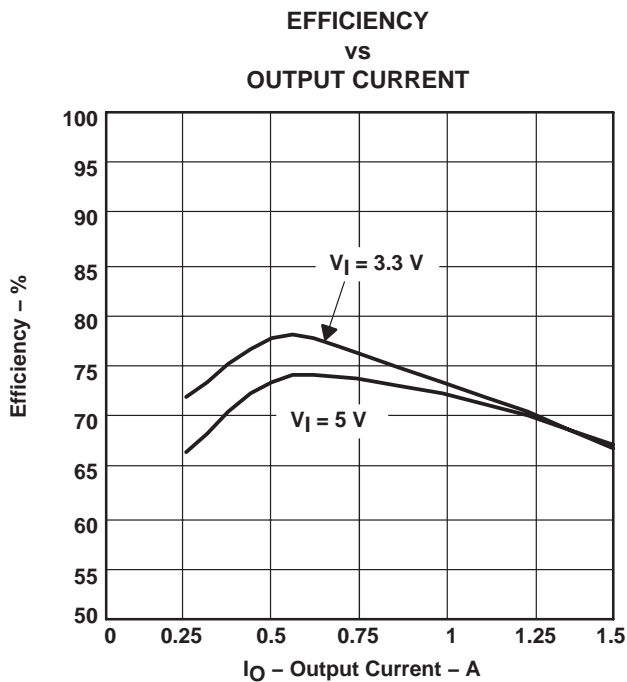
Figure 2-1. Connection Diagram



2.2 Efficiency

The TPS54110EVM-44 efficiency peaks at load current of about 0.5 A to 0.75 A, and then decreases as the load current increases towards full load. Figure 2-2 shows the efficiency for the TPS54110 at an ambient temperature of 25°C. The efficiency is lower at higher ambient temperatures, due to temperature variation in the drain-to-source resistance of the MOSFETs. The efficiency is slightly lower at 700 kHz than at lower switching frequencies due to the gate and switching losses in the MOSFETs.

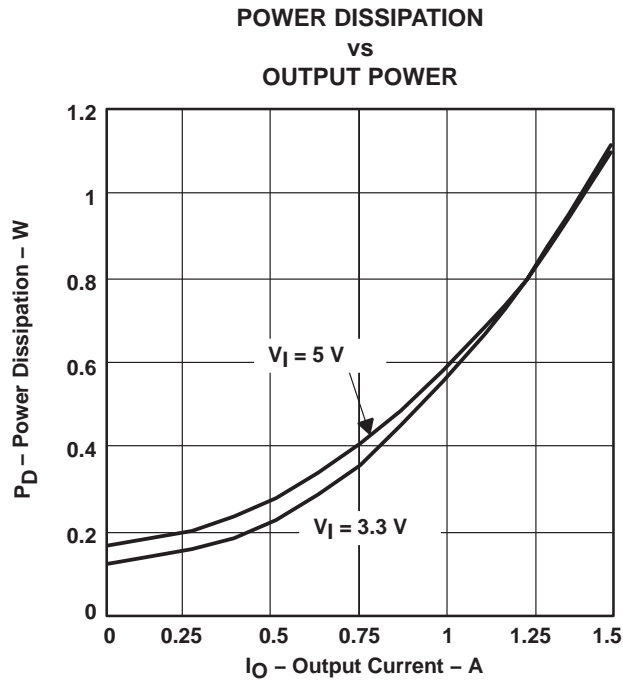
Figure 2-2. Measured Efficiency, TPS54110



2.3 Power Dissipation

The low junction-to-case thermal resistance of the PWP package, along with a good board layout, allows the TPS54110EVM-044 EVMs to output full-rated load current while maintaining safe junction temperatures. With a 3.3-V input source and a 1.5-A load, the junction temperature is approximately 60°C whereas the case temperature is approximately 55°C. The total circuit losses at 25°C are shown in Figure 2-3. Power dissipation is shown for input voltages of 3.3 V, and 5 V. For additional information on the dissipation ratings of the devices, see the individual product data sheets.

Figure 2-3. Measured Circuit Losses



2.4 Output Voltage Regulation

The output voltage load regulation of the TPS54110EVM-044 is shown in Figure 2-4; the output voltage line regulation is shown in Figure 2-5. Measurements are given for an ambient temperature of 25°C.

Figure 2-4. Load Regulation

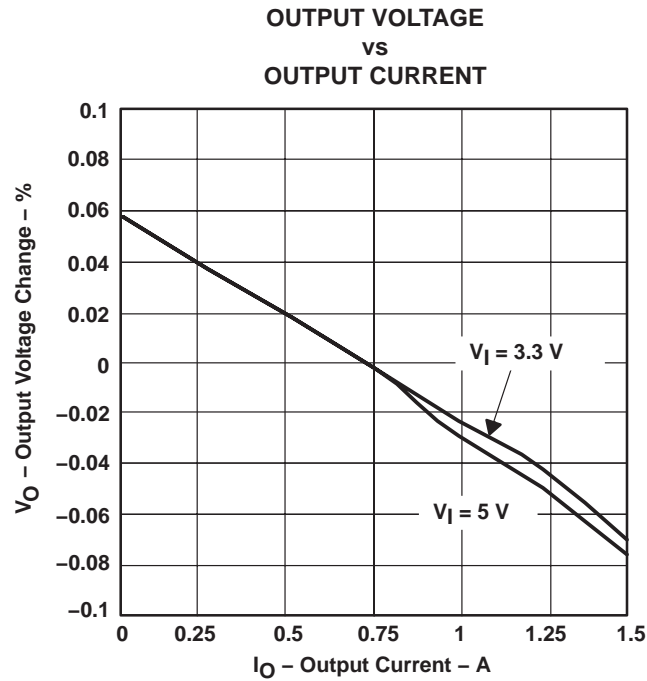
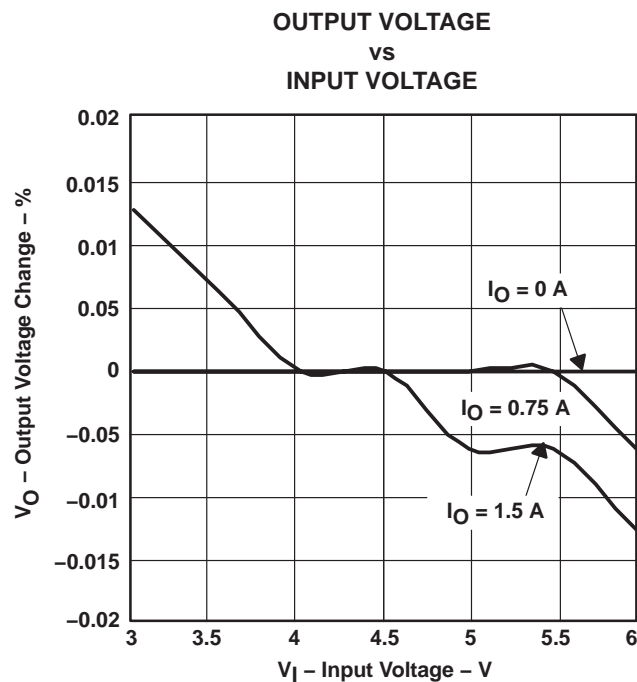


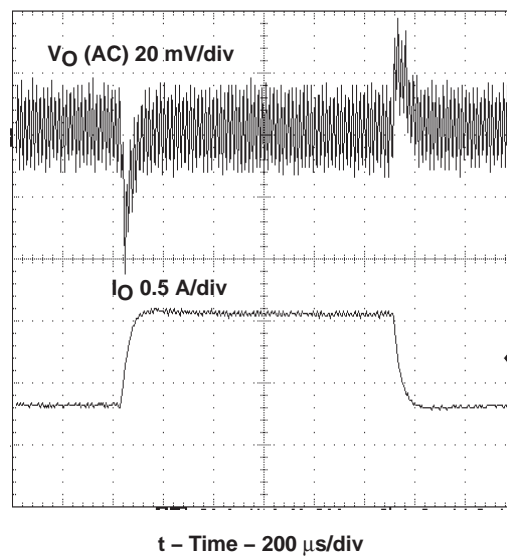
Figure 2-5. Line Regulation



2.5 Load Transients

The TPS54110EVM-044 response to load transients is shown in Figure 2-6. The current step is from 25% to 75% of maximum rated load. Total peak-to-peak voltage variation is as shown, including ripple and noise on the output.

Figure 2-6. Load Transient Response, TPS54110



2.6 Loop Characteristic

The TPS54110EVM-044 loop response characteristics are shown in Figure 2-7 and Figure 2-8. Gain and phase plots are shown for each device at minimum and maximum operating voltage.

Figure 2-7. Measured Loop Response, TPS54110, $V_I = 3\text{ V}$

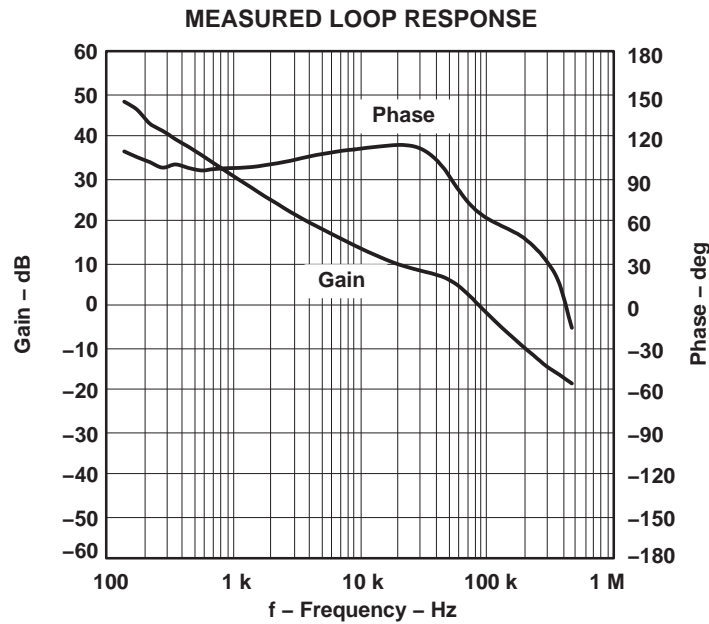
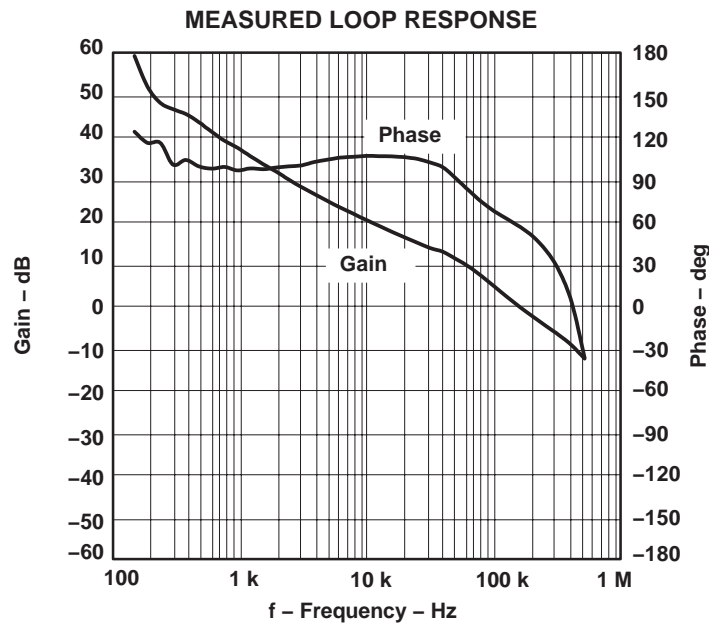


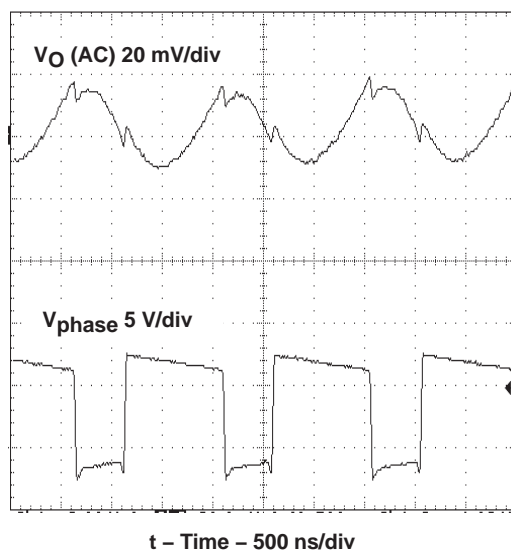
Figure 2-8. Measured Loop Response, TPS54110, $V_I = 6\text{ V}$



2.7 Output Voltage Ripple

The TPS54110EVM-044 output voltage ripple is shown in Figure 2-9. The input voltage is 3.3 V for the TPS54110. Output current is the rated full load of 1.5 A. Voltage is measured directly across output capacitors.

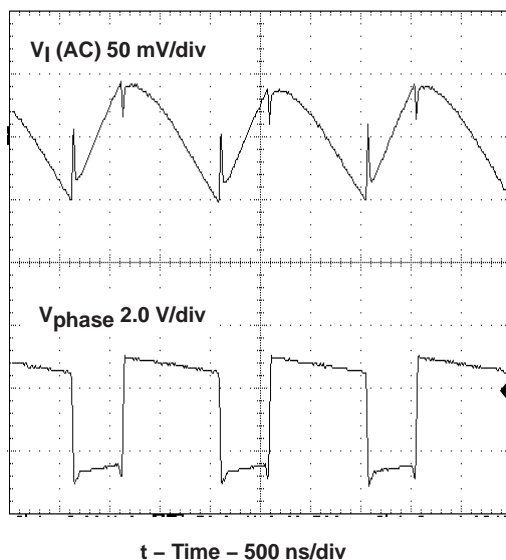
Figure 2-9. Measured Output Voltage Ripple, TPS54110



2.8 Input Voltage Ripple

The TPS54110EVM-044 input voltage ripple is shown in Figure 2-10. The input voltage is 3.3 V for the TPS54110. Output current for each device is rated full load of 1.5 A.

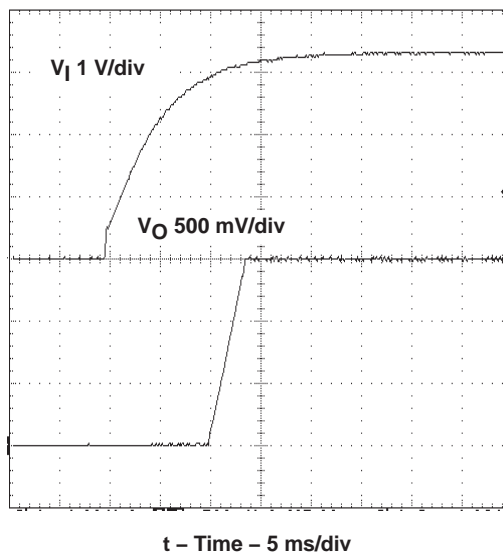
Figure 2-10. Input Voltage Ripple, TPS54110



2.9 Powering Up

The TPS54110 regulator provides an internal slow-start circuit to ramp the output voltage up at a steady rate. When the input voltage reaches the UVLO start up threshold, the output begins to ramp up at the internally set rate until the final output set point is reached. The output voltage waveforms during power up do not depend on load currents. Longer delay and ramp times can be programmed using an external slow-start capacitor in the C5 location. Alternately, the SS/ENA pin can be used as an enable pin. When SS/ENA is held low, the output is disabled. Releasing the SS/ENA pin allows the output to ramp up.

Figure 2–11. Powering Up





Board Layout

This chapter provides a description of the TPS54110EVM-044 board layout and layer illustrations.

Topic	Page
3.1 Layout	3-2

3.1 Layout

The board layout for the TPS54110EVM-044 is shown in Figure 3-1 through Figure 3-3. The top side layer of the TPS54110EVM-044 is laid out in a manner typical of a user application that is optimized for small size. A small footprint Coilcraft DO3314-103MX inductor and 0805 10- μ F ceramic capacitor are used in the output filter. 0402 case size components are used when possible to further reduce circuit area. The top and bottom layers are 1.5-oz. copper.

The top layer contains the main power traces for V_I , V_O , and $V_{(phase)}$. Also, on the top layer are connections for the remaining pins of the TPS54110 and a large area filled with ground. The bottom layer contains ground and V_O copper areas, and some signal routing. The top and bottom ground traces are connected with multiple vias placed around the board including 10 vias directly under the TPS54110 device to provide a thermal path from the PowerPAD™ land to ground.

The input decoupling capacitors (C5 and C9), bias-decoupling capacitor (C4), and bootstrap capacitor (C3) are all located as close to the IC as possible. In addition, the compensation components are also kept close to the IC. The compensation circuit ties to the output voltage at the point of regulation, adjacent to the high-frequency bypass output capacitor.

Figure 3-1. Top Side Layout

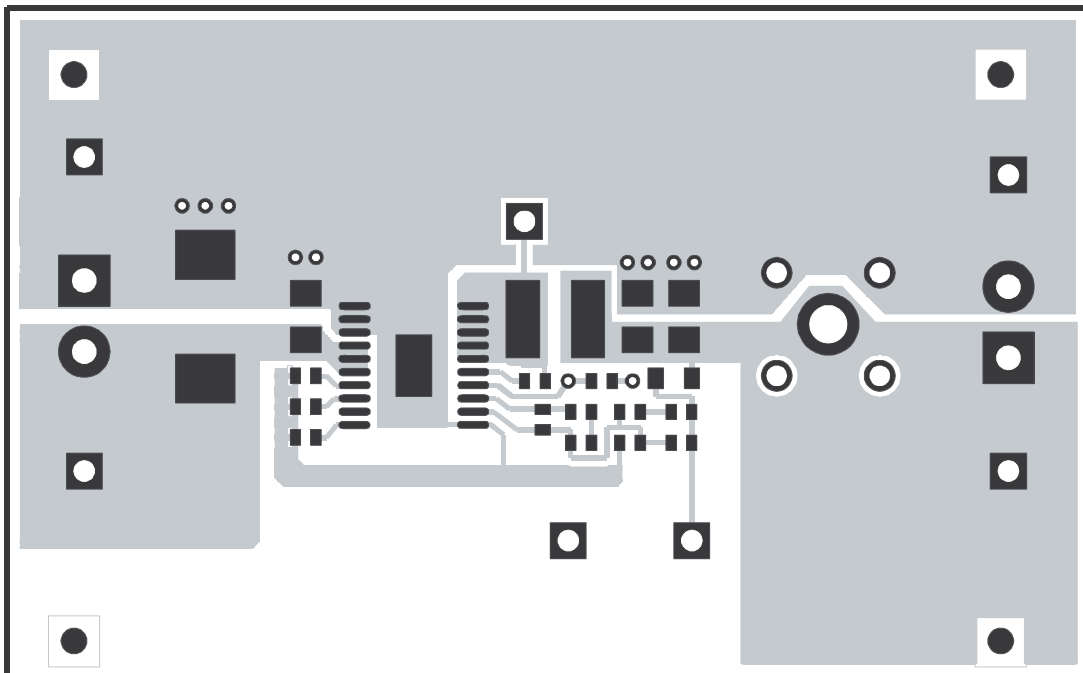


Figure 3–2. Bottom Side Layout

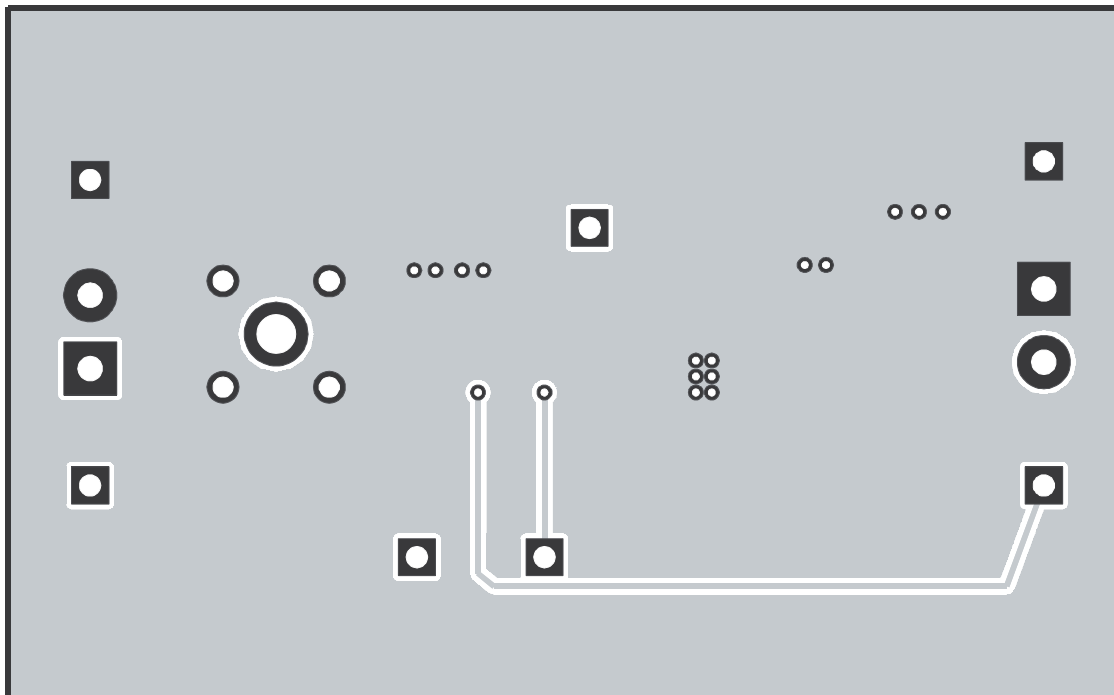
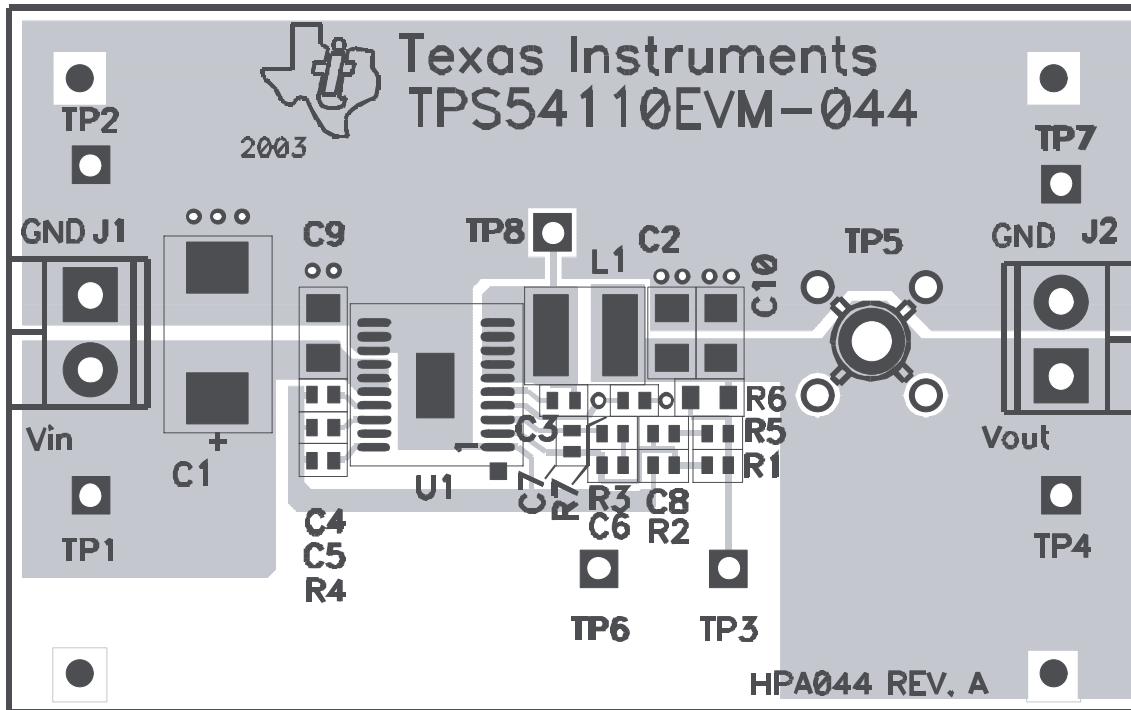


Figure 3–3. Top Side Assembly



Schematic and Bill of Materials

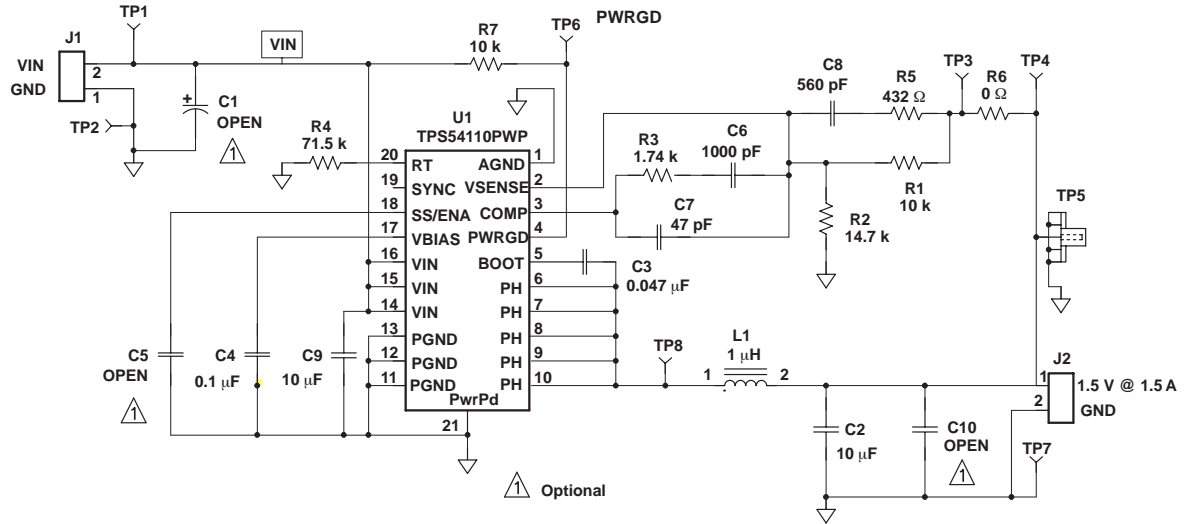
The TPS54110EVM–044 schematic and bill of materials are presented in this chapter.

Topic	Page
4.1 Schematic	4-2
4.2 Bill of Materials	4-3

4.1 Schematic

The schematic for the TPS54110EVM-044 is shown in Figure 4-1.

Figure 4-1. TPS54110EVM-044 Schematic



4.2 Bill of Materials

The bill of materials for the TPS54110EVM-044 is given by

Table 4-1. TPS54110EVM-044 Bill of Materials

Count	Ref Des	Description	Size	MFR	Part Number
–	C1	Capacitor, POSCAP, xx μ F, xx V, 20%	7343 (D)	Sanyo	Optional
–	C10	Capacitor, ceramic, xx μ F, 6.3 V, X5R, 20%	805	std	std
2	C2, C9	Capacitor, ceramic, 10 μ F, 6.3 V, X5R, 20%	805	std	std
1	C3	Capacitor, 0.047 μ F, 25 V, X7R	402	std	std
1	C4	Capacitor, 0.1 μ F, 16 V, X7R	402	std	6TPC100M
–	C5	Capacitor, xx μ F, 16 V, X7R	402	std	std
1	C6	Capacitor, 1000 pF, 25 V, X7R	402	std	std
1	C7	Capacitor, 47 pF, 50 V, X7R	402	std	std
1	C8	Capacitor, 560 pF, 50 V, X7R	402	std	std
2	J1, J2	Terminal block, 2 pin, 6 A, 3.5 mm	0.27" x 0.25"	OST	ED1514
1	L1	Inductor, SMT, 1 μ H, 2 A, 110 m Ω	0.138 x 0.138	Coilcraft	DO3314-102MX
2	R1, R7	Resistor, chip, 10 k Ω , 1/16 W, 1%	402	std	std
1	R2	Resistor, chip, 14.7 k Ω , 1/16 W, x%	402	std	std
1	R3	Resistor, chip, 1.74 k Ω , 1/16 W, x%	402	std	std
1	R4	Resistor, chip, 71.5 k Ω , 1/16 W, 1%	402	std	std
1	R5	Resistor, chip, 432 Ω , 1/16 W, 1%	402	std	std
1	R6	Resistor, chip, 0 Ω , 1/16 W, 1%	603	std	std
5	TP1, TP3, TP4, TP6, TP8	Test point, red, 1 mm	0.038"	Farnell	240-345
2	TP2, TP7	Test point, black, 1 mm	0.038"	Farnell	240-333
1	TP5	Adaptor, 3,5 mm probe clip (or 131-5031-00)	0.2"	Tektronix	131-4244-00
1	U1	IC, dc/dc converter, adj, 1.5 A	PWP20	TI	TPS54110PWP
1	---	PCB, 1.3 In x 2.1 In x 0.062 In		Any	HPA044

- Notes:**
- 1) These assemblies are ESD sensitive. ESD precautions must be observed.
 - 2) These assemblies must be clean and free from flux and all contaminants. Use of no-clean flux is not acceptable.
 - 3) These assemblies must comply with workmanship standards IPC-A-610 Class 2.
 - 4) Reference designators marked with an asterisk (**) cannot be substituted. All other components can be substituted. All other components can be substituted with equivalent MFG's components.

